

TRIOLOGY

LUXE



Extremely cost effective
Huge width adjustment
Wide range of sizes
Quick and easy install

INLINE PANELS

Ideal between wall openings

KIT CONSISTS OF:

1x door panel (6mm clear toughened glass)

1x fixed semi-framed panel (5mm clear toughened glass)

Pivot door and fixed panel pre-assembled with silver aluminium slimline frame



FULLY REVERSIBLE - LEFT OR RIGHT SIDE OPENING

Simply rotate to opening side required

Sizes available	Order code
850mm wide x 1950mm high Adjustable from 795mm to 850mm wide	TLX-I-0850
900mm wide x 1950mm high Adjustable from 845mm to 900mm wide	TLX-I-0900
990mm wide x 1950mm high Adjustable from 895mm to 990mm wide	TLX-I-0990
1080mm wide x 1950mm high Adjustable from 985mm to 1080mm wide	TLX-I-1080
1200mm wide x 1950mm high Adjustable from 1075mm to 1200mm wide	TLX-I-1200
1320mm wide x 1950mm high Adjustable from 1195mm to 1320mm wide	TLX-I-1320
1440mm wide x 1950mm high Adjustable from 1315mm to 1440mm wide	TLX-I-1440
1560mm wide x 1950mm high Adjustable from 1435mm to 1560mm wide	TLX-I-1560

SEMI-FRAMELESS RETURN PANELS



Semi frameless return panels easily slot into inline panels for a corner configuration

KIT CONSISTS OF:

1x glass panel (6mm clear toughened glass) with silver anodised aluminium slimline frame

2x 90 degree adapters - inserts into inline panel top and bottom extrusion

1x U channel - installed to the wall

Sizes available:

Order code

850mm wide x 1950mm high
Ajustable from 830mm to 850mm wide

TLX-RTN-0850

890mm wide x 1950mm high
Ajustable from 870mm to 890mm wide

TLX-RTN-0890

910mm wide x 1950mm high
Ajustable from 890mm to 910mm wide

TLX-RTN-0910

FULLY REVERSIBLE - LEFT OR RIGHT SIDE RETURN PANEL

FULLY FRAMED RETURN PANELS



Fully framed return panels easily slot into inline panels for a corner configuration

KIT CONSISTS OF:

1x glass panel (6mm clear toughened glass) with silver anodised aluminium slimline frame

1x 90 degree vertical extrusion adapter - inserts into inline panel

1x U channel - installed to the wall

Sizes available:

Order code

850mm wide x 1950mm high
Ajustable from 830mm to 850mm wide

TSCR-0850-R

890mm wide x 1950mm high
Ajustable from 870mm to 890mm wide

TSCR-0890-R

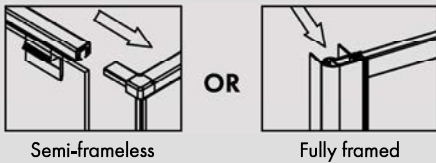
910mm wide x 1950mm high
Ajustable from 890mm to 910mm wide

TSCR-0910-R

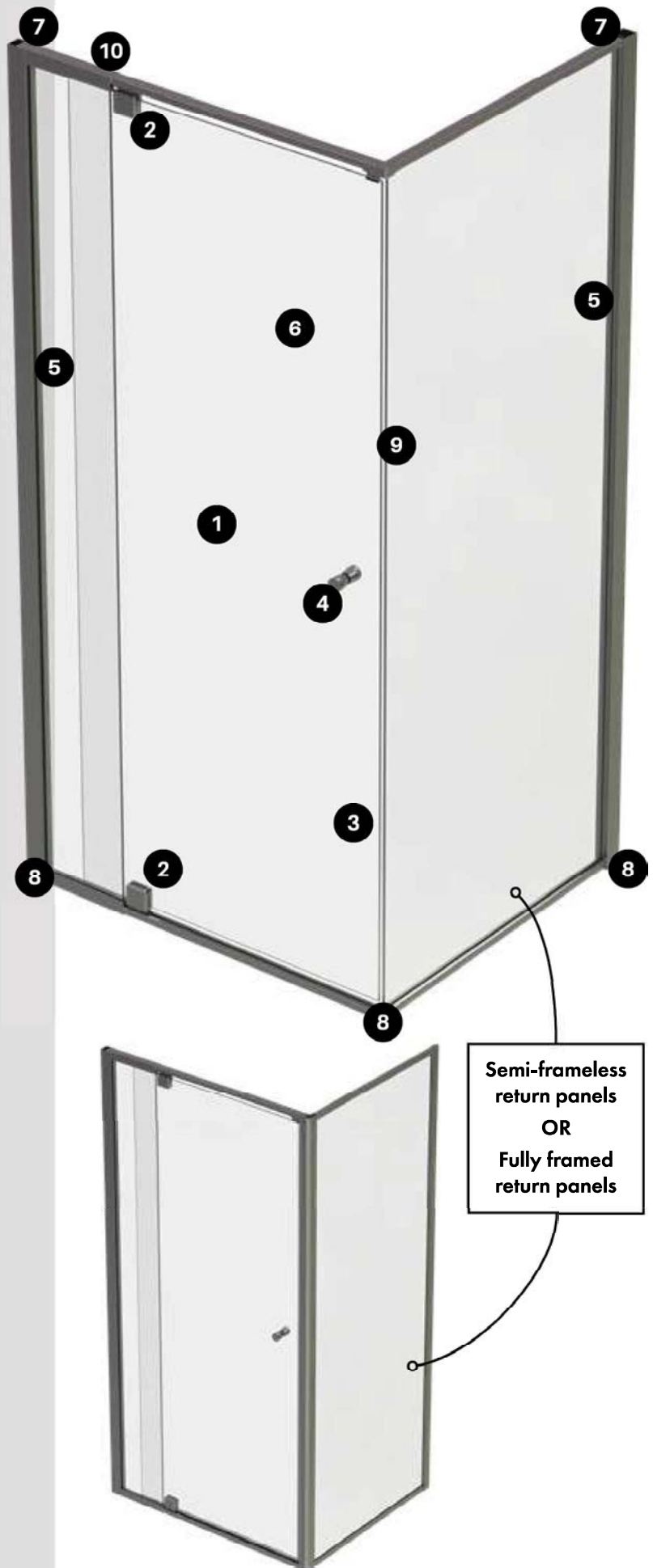
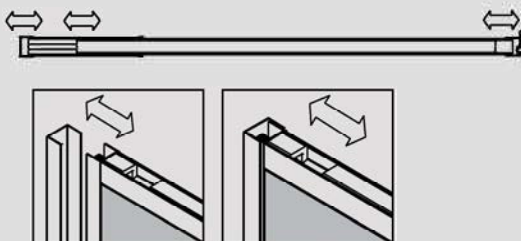
FULLY REVERSIBLE - LEFT OR RIGHT SIDE RETURN PANEL

TRILOGY LUXE FEATURES

- 1 Grade 'A' toughened glass**
AS/NZS2208 compliant
 Door & return panel 6mm clear toughened; fixed panel 5mm clear toughened - Silk screen compliance logo on glass
 SAI Global certified
- 2 Pivot hinges - High quality**
 Stylish square shape; smooth function and minimal friction for ease of operation
 Pivot door allows for overlap of fixed panel = water seal
 Pivot block made from POM - high strength, hardness and dimensional stability
- 3 Water seal**
 Full length PVC door seal for enhanced water seal
 Bottom door seals also included
 Optional magnetic seals also available (sold separately - available Jan 19)
- 4 Fully frameless door with round silver knob**
 Modern fully frameless 6mm clear toughened door
 (not chromed plastic)
- 5 Slimline strong aluminium frame**
 Silver polished frame with minimalist low profile framing system
- 6 Fully reversible door - left or right opening**
 Simply flip and rotate pre-assembled fixed panel with door to suit left or right opening - so easy!
- 7 U channels allow flexibility for installation**
 Slimline profile U channels allow installation for out of square wall situations
 U channel allows 20mm extra width adjustment on semi-frameless return panels
- 8 Install on tiles or showerbases**
- 9 Fully framed or semi frameless return panels**
 Innovative design allows selection of either style
 Using the same inline panel, simply select a semi-frameless or fully framed return panel

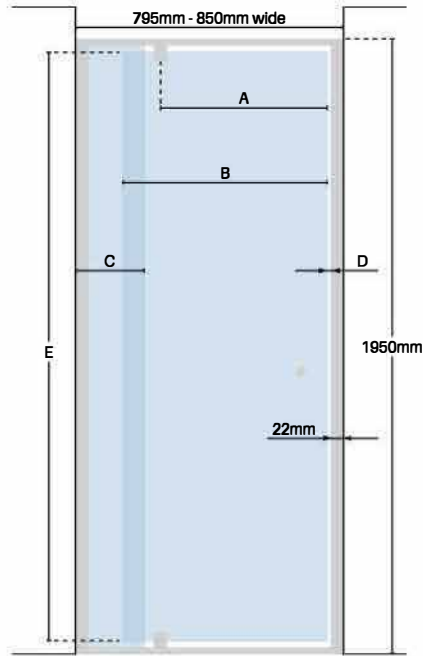


- 10 Telescopic width adjustment for inline panels**
 Innovative design allows extrusion to telescopically move in & out for door width adjustment



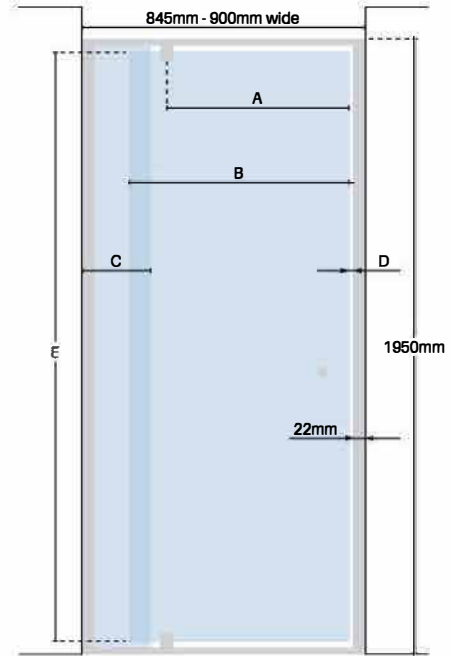
INLINE PANEL SPECIFICATIONS

850mm panel TLX-I-0850



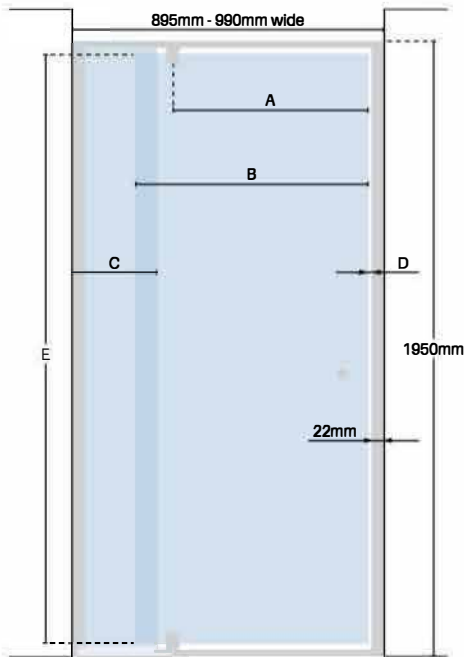
A	B	C	D	E
511mm	650mm	198mm	4mm	1886mm

900mm panel TLX-I-0900



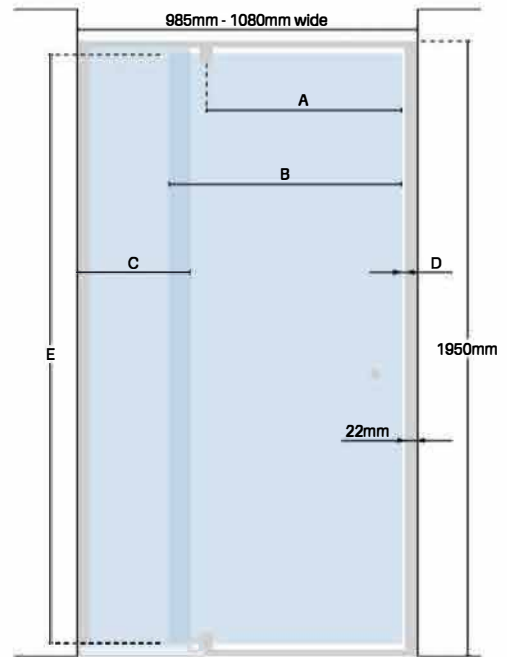
A	B	C	D	E
561mm	700mm	198mm	4mm	1886mm

990mm panel TLX-I-0990



A	B	C	D	E
561mm	740mm	248mm	4mm	1886mm

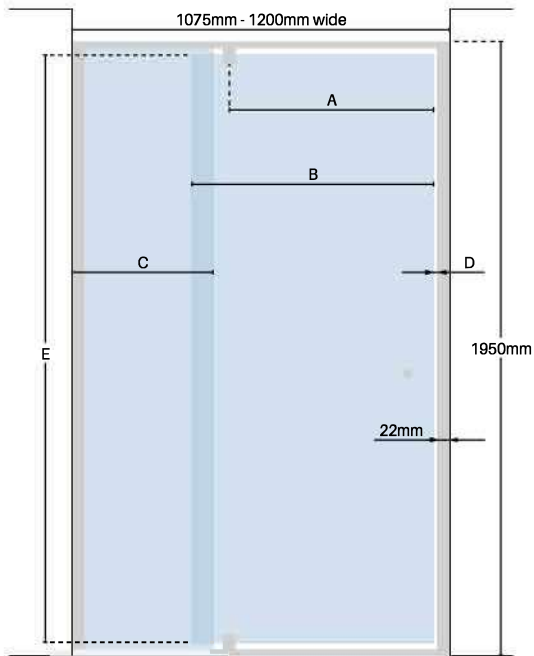
1080mm panel TLX-I-1080



A	B	C	D	E
561mm	740mm	338mm	4mm	1886mm

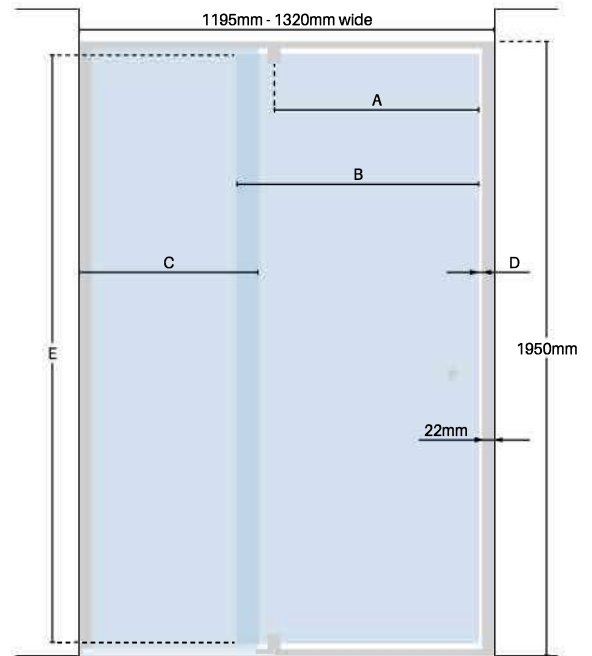
INLINE PANEL SPECIFICATIONS

1200mm panel TLX-I-1200



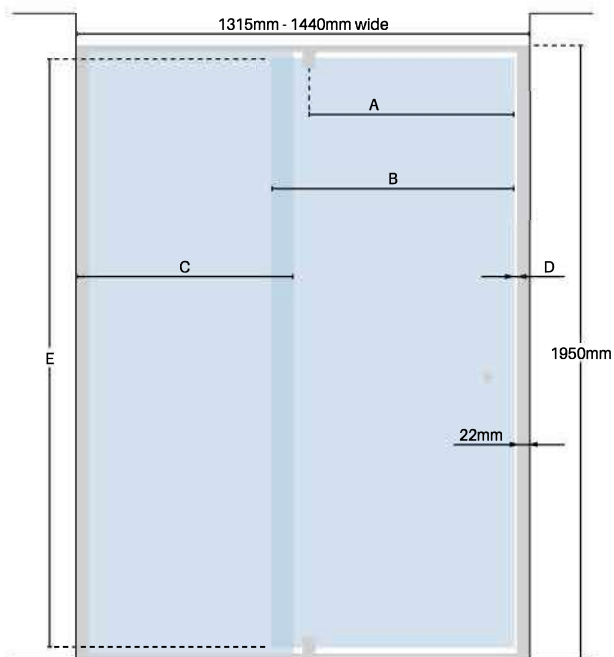
A	B	C	D	E
561mm	770mm	428mm	4mm	1886mm

1320mm panel TLX-I-1320



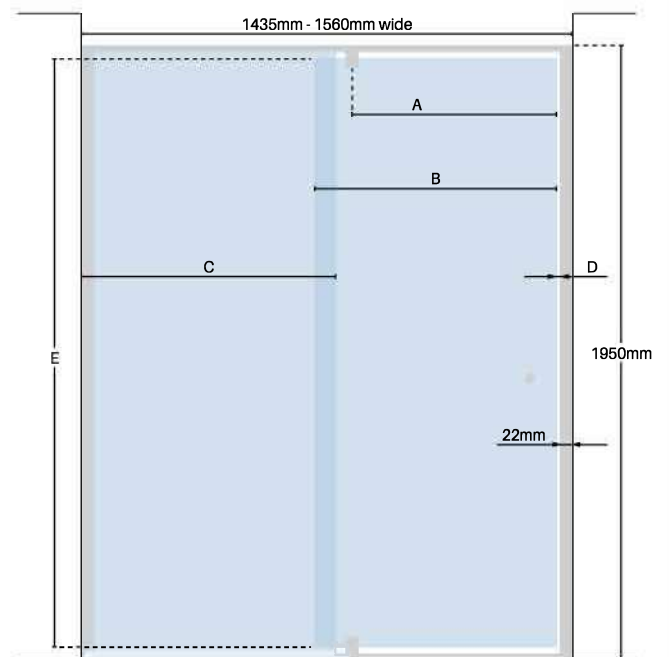
A	B	C	D	E
561mm	770mm	548mm	4mm	1886mm

1440mm panel TLX-I-1440



A	B	C	D	E
561mm	770mm	668mm	4mm	1886mm

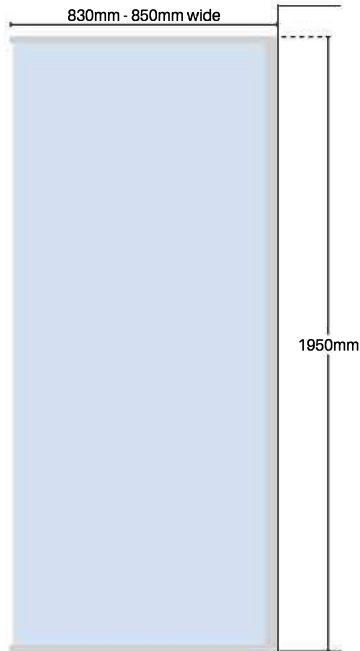
1560mm panel TLX-I-1560



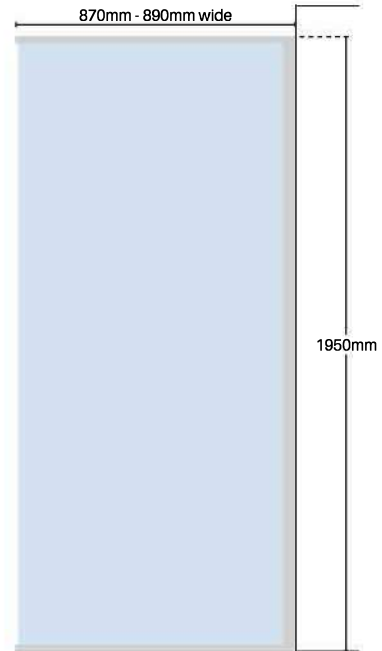
A	B	C	D	E
561mm	770mm	788mm	4mm	1886mm

RETURN PANEL SPECIFICATIONS

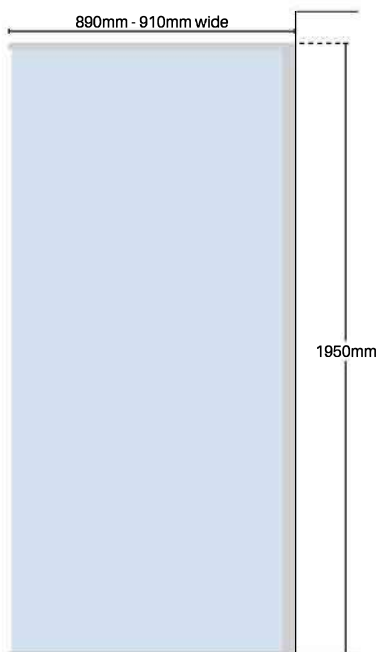
850mm panel TLX-RTN-0850
SEMI-FRAMED



890mm panel TLX-RTN-0890
SEMI-FRAMED

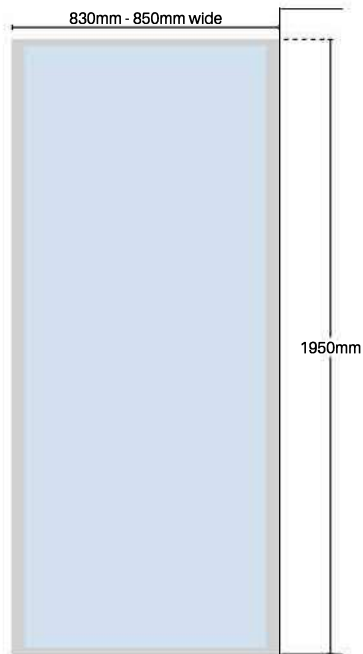


910mm panel TLX-RTN-0910
SEMI-FRAMED

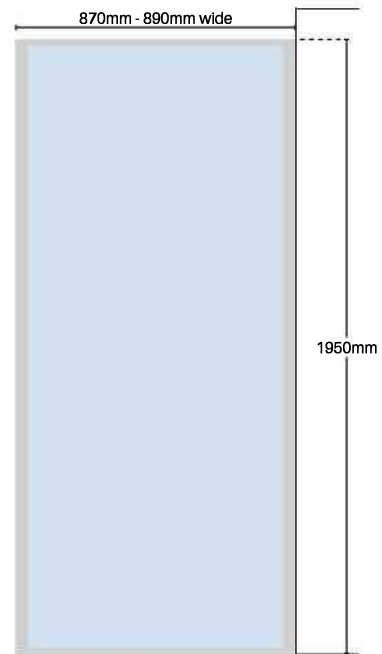


RETURN PANEL SPECIFICATIONS

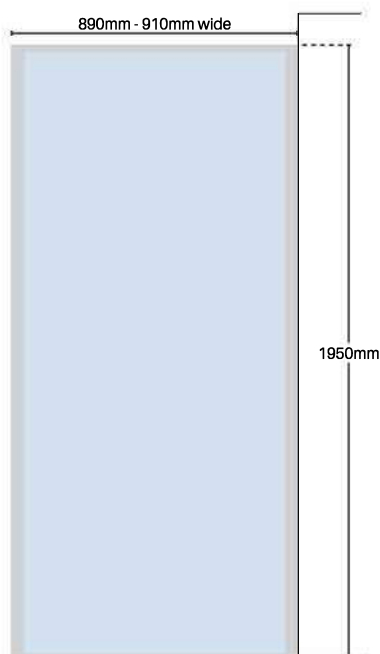
850mm panel TSCR-0850-R
FULLY FRAMED



890mm panel TSCR-0890-R
FULLY FRAMED



910mm panel TSCR-0910-R
FULLY FRAMED



BATH SCREENS

Trilogy pivot bath screen

1500mm H x 850mm W

Bright polish finish

Order Code: **TSB-0850-P**

- 6mm clear toughened glass includes stylish rounded top corner
- Aluminium pivot against wall allows 25mm width adjustment (from 850mm to 875mm)
- Innovative design feature enables easy adjustment for out of square walls
- Left or right handing to suit bath
- Inwards and outwards swinging
- Includes drip seal to bath
- Complete kit in a box with heavy duty cardboard box packing, ideal for trade users, retail stocking or freighting

Inner & outer
swinging
door

6mm glass

Purity Showerscreens® bath screen

1500mm H x 750mm W

Bright polish finish

Order Code: **P-BS-0750**

- 10mm clear grade "A" toughened glass
- 1mm radius corners
- Panels are individually cardboard boxed for protection
- Fixed panel provides on trend minimalist finish

Install with wall brackets or U channel!

Refer pages 22-24 & 33 for specifications



**It is always recommended to brace glass panels with a support arm or shelf*

